

INSTALLATION SPECIFICATION SHEET

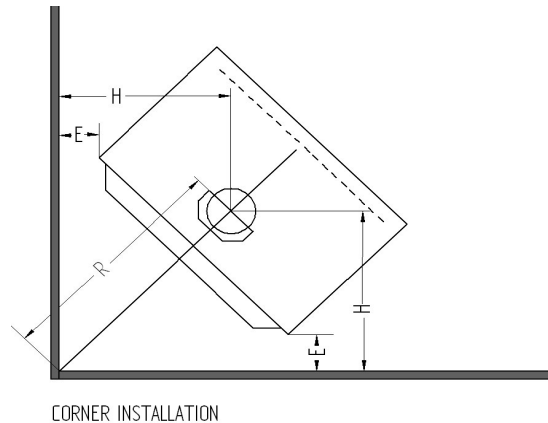
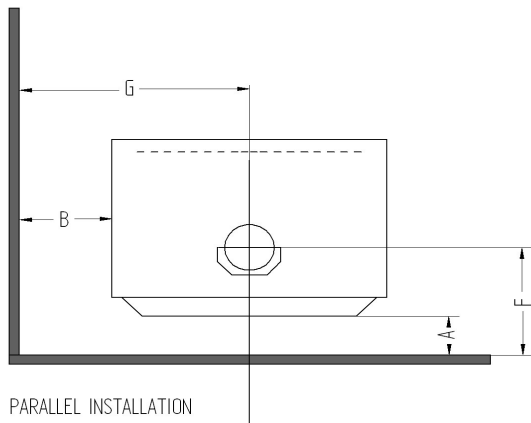
These instructions must be used in conjunction with the 'General Installation Instructions' for MASPORT wood fires.

CLEARANCE REQUIREMENTS

This fire has been tested to the Australian/New Zealand Standard AS/NZS 2918:2001 and all installations must be in accordance with the minimum clearances to combustibles indicated in these instructions.

The minimum clearances to combustables may be reduced if the combustable walls are shielded with an approved non-combustable material. Details of suitable materials and appropriate clearance reduction factors are present in Section 3 of AS/NZS 2918:2001.

POSITIONING YOUR FREE-STANDING WOODFIRE



NEW ZEALAND

MINIMUM DISTANCES TO HEAT SENSITIVE WALLS (mm)

MODEL	FLUE HEAT SHIELD	A	B	E	F	G	H	R§
KRONOS CLEAN AIR	LOGAIRE DOUBLE SKIN S/S POLISHED	100	265	100	307	615	454	641
KRONOS CLEAN AIR	WITHOUT FLUE SHIELD	300	320	250	507	670	604	853
KRONOS RURAL	LOGAIRE DOUBLE SKIN S/S POLISHED	120	300	130	327	650	484	684

AUSTRALIA

MINIMUM DISTANCES TO HEAT SENSITIVE WALLS (mm)

MODEL	FLUE HEAT SHIELD	A	B	E	F	G	H	R§
KRONOS CLEAN AIR HW	FLOMET UNIVERSAL FLUE SYSTEM	300	400	250	507	750	604	853
	AHD SPECIAL INSULATED FLUE KIT	250	450	225	457	800	579	818

§ Valid only when the room walls are at 90° to each other.

‡ Note: Clearances are for fire hazard only. For durability of finishes or surfaces you should contact the relevant manufacturer for their specification. Glen Dimplex Australasia Ltd accepts no responsibility for the deterioration of surfaces or finishes.

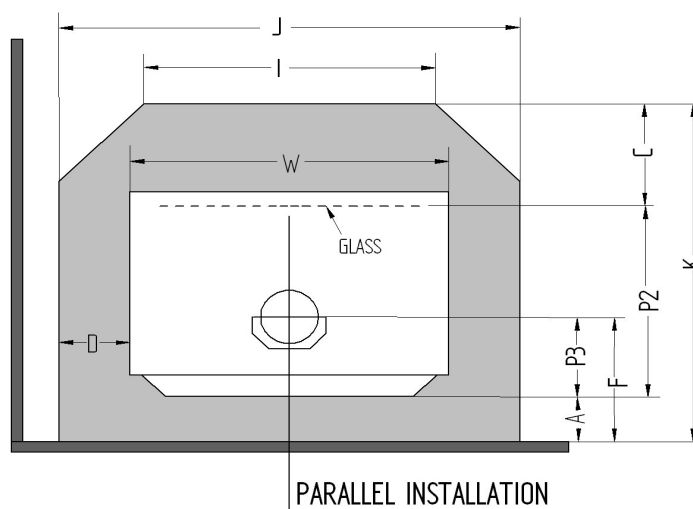
See " INSTALLING THE FLUE " for recommended Australian flue systems.

PRT. NO. KRRM0738

DATE: 07.09.2010

FLOOR PROTECTOR (Hearth) REQUIREMENTS PARALLEL INSTALLATION

MINIMUM FLOOR PROTECTOR DIMENSIONS IN mm



DIMENSIONS IN THE TABLE ARE VALID ONLY WHEN THE FIRE IS EXACTLEY AT ITS MINIMUM ALLOWABLE WALL CLEARANCE.

NEW ZEALAND

MODEL	Flue Shield	Floor Protector height	A#	C#	D	F	I	J	K#	P2	P3	W	Floor Protector Type Ø
KRONOS CLEAN AIR	*		100	300	100	307	600	900	943	543	207	700	ASH
KRONOS CLEAN AIR	**		300	300	100	507	600	900	1143	543	207	700	ASH
KRONOS RURAL	*		120	300	100	327	600	900	963	543	207	700	ASH

* Logaire double skin S/S polished 1200 mm shield

** Without flue shield

AUSTRALIA - ALL WITH FLUE HEATSHIELD

MODEL	Flue Shield	Floor Protector height	A#	C#	D	F	I	J	K#	P2	P3	W	Floor Protector Type Ø
KRONOS CLEAN AIR HW	*		300	300	100	507	600	900	1143	543	207	700	ASH
	**		250	300	100	457	600	900	1093	543	207	700	ASH

* FLOMET UNIVERSAL FLUE SYSTEM

** AHD SPECIAL INSULATED FLUE KIT

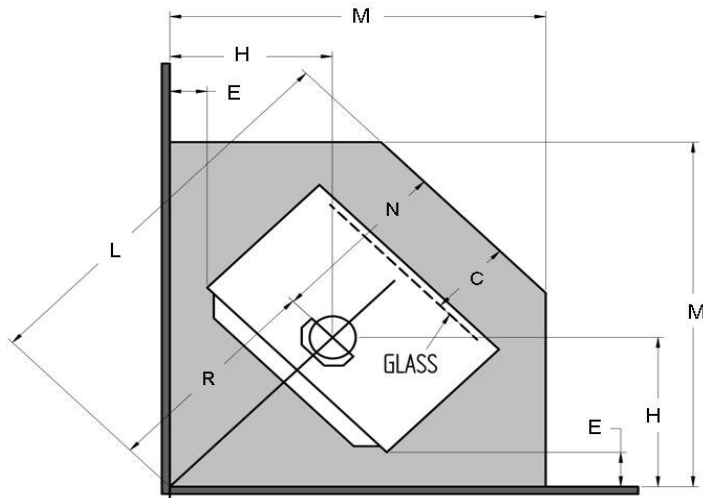
Ø for minimum constructional requirements see general installation instructions.

Valid only when the fire is exactly at its minimum allowable wall clearance.

NOTE: Where a fan is being fitted, you may prefer to increase the 'A' dimension to 100 mm to provide easier access for servicing. If so, the amount you add to 'A' to bring it to 100 mm must also be added to the 'C' and 'S' dimensions.

FLOOR PROTECTORS (Hearth) REQUIREMENTS CORNER INSTALLATION

MINIMUM FLOOR PROTECTOR DIMENSIONS IN mm



DIMENSIONS IN THE TABLE ARE VALID ONLY WHEN THE FIRE IS EXACTLEY AT ITS MINIMUM ALLOWABLE WALL CLEARANCE.

NEW ZEALAND

MODEL	Flue Shield	Floor Protector Distance above Floor	C	E	H#	L#	M#	N	R#	FLOOR PROTECTOR TYPE
KRONOS CLEAN AIR	*		300	100	454	1277	1115	636	641	ASH
KRONOS CLEAN AIR	**		300	250	604	1489	1265	636	853	ASH
KRONOS RURAL	*		300	130	484	1320	1145	636	684	ASH

* Logaire double skin S/S polished 1200 mm shield

** Without flue shield

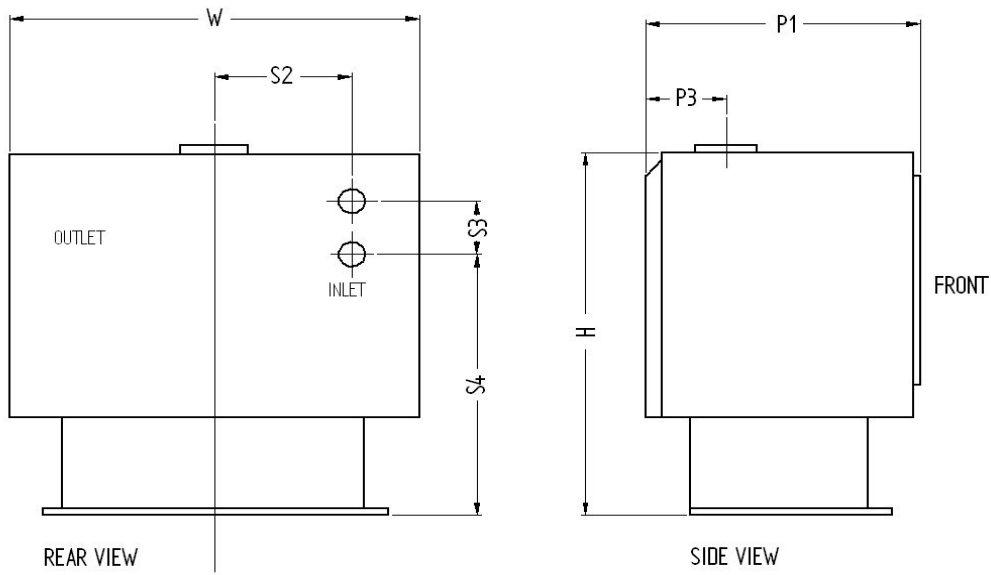
AUSTRALIA

MODEL	Flue Shield	Floor Protector Distance above Floor	C	E	H#	L#	M#	N	R#	FLOOR PROTECTOR TYPE
KRONOS CLEAN AIR HW	*		300	250	604	1489	1265	636	853	ASH
	**		300	225	579	1454	1240	636	818	ASH

* FLOMET UNIVERSAL FLUE SYSTEM

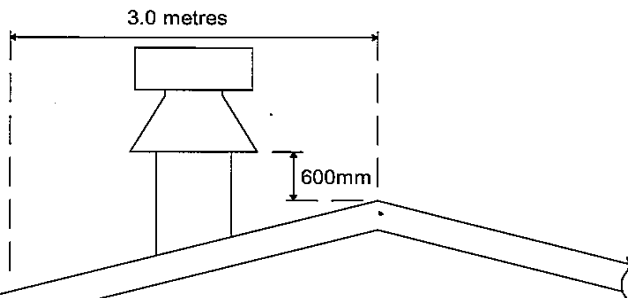
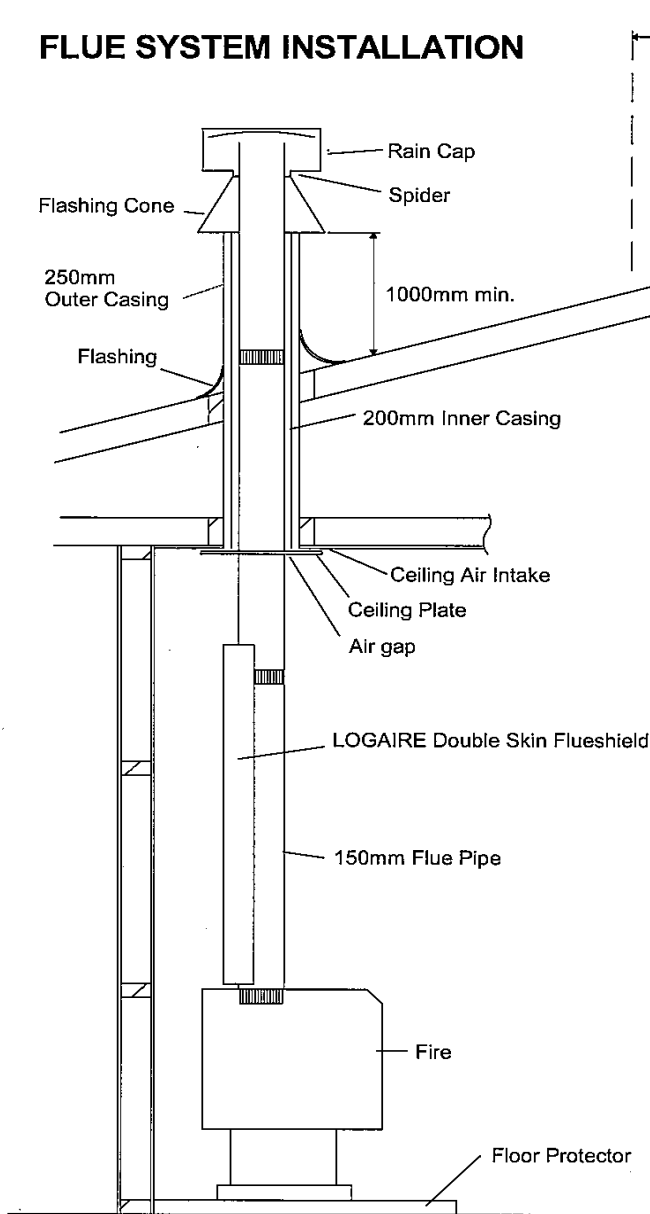
** AHD SPECIAL INSULATED FLUE KIT

FREE STANDING FIRE DIMENSIONS



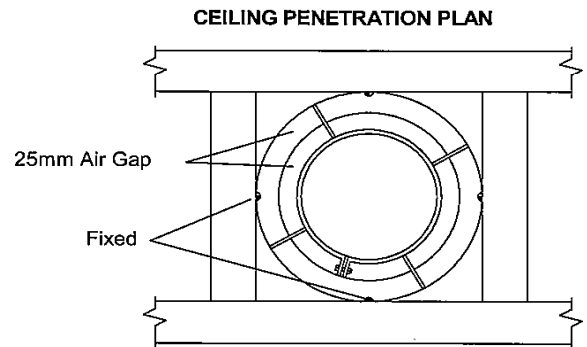
MODEL		P1	P3	H	W	S1	S2	S3	S4
ALL		543	207	741	700	-	200	120	393

FLUE SYSTEM INSTALLATION



Installation shown complies with AS/NZS 2918:2001. If a flue exits out of the roof within 3 metres from the ridge, the outer shield height shall be not less than 600mm above the ridge. If the flue exits further than 3 metres out from the roof ridge then it must project at least 1000mm above roof penetration. This dimension may need increasing to ensure that the top of the flue is at least 3 metres away from the roof or other obstructions when measured horizontally.

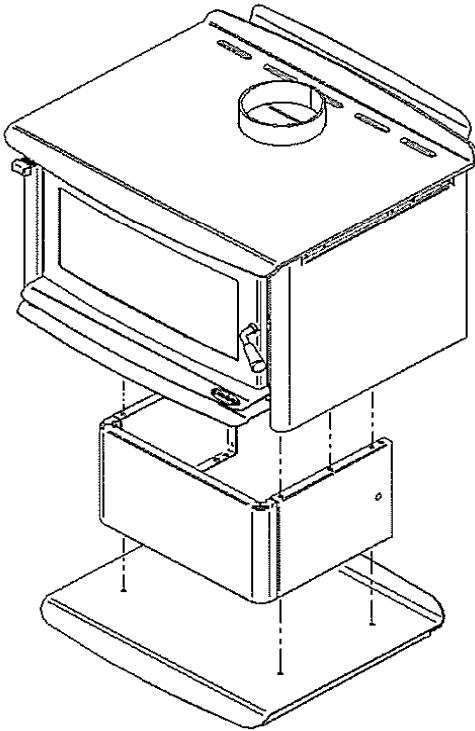
The flue pipe shall extend not less than 4.6m above the top of the floor protector. Due to factors such as roof pitch, predominant winds, nearby obstructions (ie. trees, buildings), and fire placement, flue lengths and hats/cowls may vary.



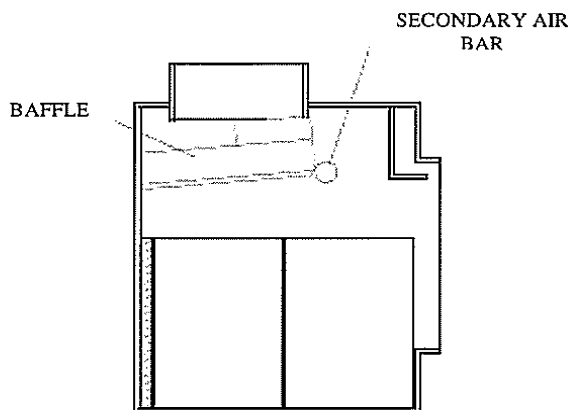
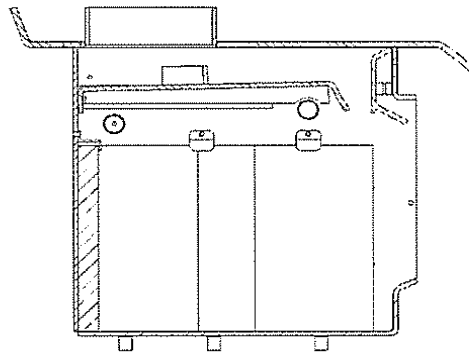
FLUE SYSTEM INSTALLATION 150mm

**THIS DIAGRAM IS FOR INSTALLATIONS IN NZ
FOR INSTALLATIONS IN AU PLEASE REFER TO SPECIFIC FLUE INSTALLATION INSTRUCTIONS**

Assembly of your Kronos Clean Air HW Logaire Wood Fire



1. Remove the contents from the fire and assemble the pedestal sides and front to the base using nuts and bolts supplied. (Note: the 4 longer bolts are for stage 2).
2. Lower the fire onto the now assembled pedestal unit and bolt to the fire.
3. Place assembled fire in position and seismic restraint to the floor.
4. Next, if not already fitted in place, fit the baffle plate into place. The baffle plate is to be situated in the upper half of the fire and sits onto the brackets bolted inside the firebox.



1. Ensure the ceramic baffle blanket is fitting flat on the top Face of the Baffle.